

# StarMaker<sup>®</sup> HP

Weatherproof **Tunable** Production LED PANEL



**The StarMaker<sup>®</sup> Weatherproof Tunable Production LED PANEL has a high CRI and TLCI\* for accurate colors. It has an IP65 ingress protection rating for use under the rain or wet and dusty environments.**



[www.fluotec.net](http://www.fluotec.net)  
[info@fluotec.net](mailto:info@fluotec.net)

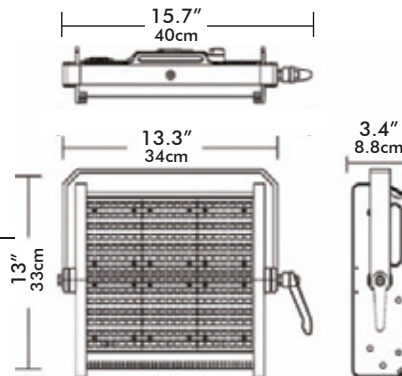
**FLUOTEC**   
...WE LIGHT!

The StarMaker<sup>®</sup> Weatherproof Tunable Production LED PANEL has a high CRI and TLCI\* for accurate colors. It has an IP65 ingress protection rating for use under the rain or wet and dusty environments.

Model	StarMaker <sup>®</sup> HP Tunable
<b>Code</b> V-Mount Battery Plate	G6LED140
<b>Code</b> Gold-Mount Battery Plate	G6LED141
<b>Operation</b>	90-240V - 50/60Hz
<b>Weight lb/kg</b>	10.6/4.8
<b>Electrical Draw</b>	.56A (66W) @120VAC
<b>Battery Operation</b>	14VDC
<b>Remote variable CCT</b>	2700K - 6200K
<b>CRI</b>	>97
<b>Local dimming control</b>	Digital Display 0% - 100%

## Characteristics

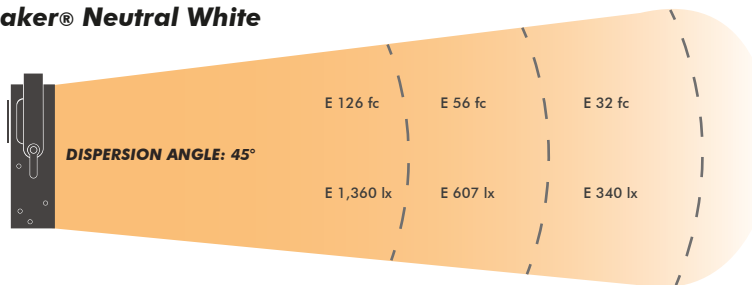
- The StarMaker<sup>®</sup> all terrain-weather: water & dust proof.
- Available in Tunable: 2800K - 6200K CCT.
- Portable rugged Tunable Production LED PANELS for extreme Production Lighting:
  - Rental Houses.
  - Schools, Universities.
  - Broadcast, Motion Pictures.
  - Digital Cinema, Video and Photography.



Photometric Data	Distance	1.83m (6.00ft)	2.74m (9.00ft)	3.66m (12.00ft)
------------------	----------	----------------	----------------	-----------------

Illuminance E Foot-Candles/lux

## StarMaker<sup>®</sup> Neutral White



## Included accessories

- Gel Frame G6LED068
- 16 ft POWERCON AC Cable with Switch G6PLT041
- Stand Mount Spigot Mini G6FLT086
- 30° Egg Crate G6LED067
- C-Clamp G6FLT262
- Safety Cable G6FLT059

## SoftLIGHT control soft boxes



SoftBOX Studio<sup>®</sup> for StarMaker<sup>®</sup>  
G6LED145



SoftBOX Studio<sup>®</sup> 4 Leaf Barndoors for StarMaker<sup>®</sup>  
G6LED146





Code V-Mount: G6ED142  
Code Gold-Mount: G6LED151  
Case: 37.5 x 17.75 x 9" (95.2 x 45 x 22.9 cm)



Code V-Mount: G6LED143  
Code Gold-Mount: G6LED152  
Case: 37.5 x 17.75 x 9" (95.2 x 45 x 22.9 cm)



Code V-Mount: G6LED144  
Code Gold-Mount: G6LED153  
Case HD: 22.8 x 41.73 x 7.4" (58 x 106 x 19 cm)