



T O N S O F L I G H T I N G
CineLight Color120Quad®

2x2 Color interchangeable Diffusion DMX LED Panel

BY **FLUOTEC**



Pure White Light... Now with COLOR!



www.fluotec.com · info@fluotec.com



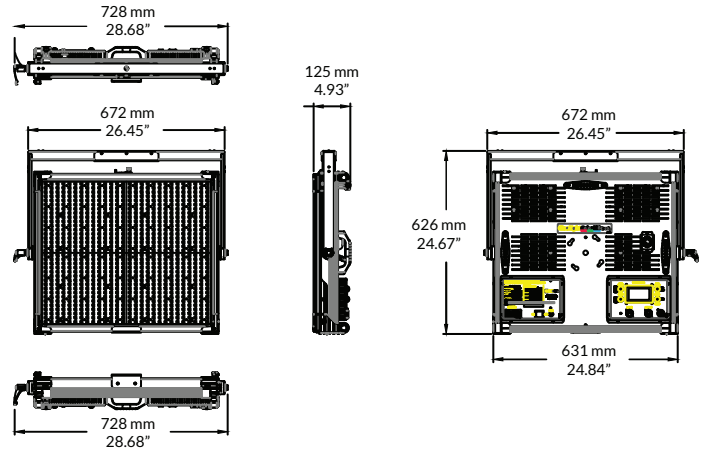
CineLight Color120Quad® 2X2 DMX LED Panels

Very high CRI/TLCI >95 color rendering indexes. Constant Output Tunable Color DMX LED Panels.



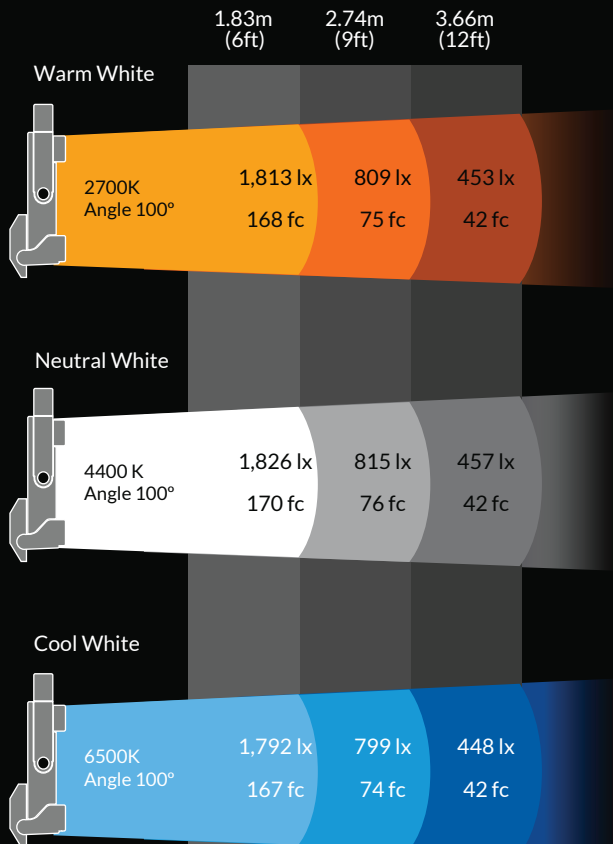
CineLight Color120Quad® 2X2 Color Interchangeable Diffusion DMX LED Panels

| | |
|--|--|
| With Yoke | G6CRGB140 |
| With Pole Operated Yoke | G6CRGB141 |
| With Yoke and Cargo Case | G6CRGB142 |
| With Stand Mounting Bracket | G6CRGB143 |
| With Stand Mounting Bracket and Cargo Case | G6CRGB144 |
| AC Input | 90-240V - 50/60Hz |
| Weight lb/kg | 27.62 lb / 12.44 kg |
| Energy Efficiency | 2.4A (290W) @120VAC |
| CCT | 2,700K - 6,500K Extended Range 2,500K - 10,000K |
| CRI | > 95 |
| Remote dimming | Via DMX 0% - 100% |
| Local dimming | Digital Display 0% - 100% |



Photometric Data

CineLight Color120®Quad 2X2 DMX LED Panels



Key Features

- A very efficient broadcast & cinema luminaire with high- speed option.
- Plus/Minus Green control and special effects.
- Full Color / HSI / XY / Filters / Settings menu.
- Constant luminous output (2,500K-10,000K) of CCT with proprietary designed calibration curves.
- Local LCD digital display panel for manual control.
- DMX 19 channels.
- User - defined presets.
- Interchangeable diffusion panel.
- NEBULA® reflective and diffusion chamber technology.
- Integrated power supply.

Accessories



More Info: www.fluotec.com · info@fluotec.com

