



T O N S O F L I G H T I N G

CineLight **Color240**®

4x2 Color interchangeable Diffusion DMX LED Panel

BY **FLUOTEC**



Pure White Light ;Now with COLOR!



www.fluotec.com · info@fluotec.com



CineLight Color240® 4X2 DMX LED Panels

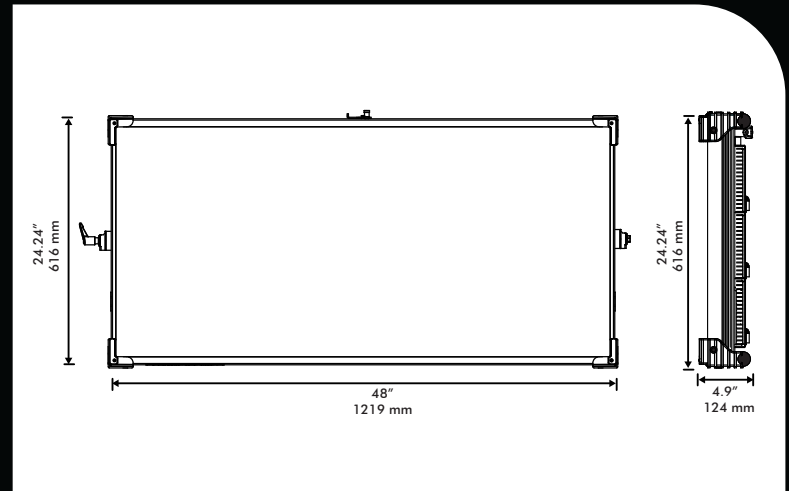
Very high CRI/TLCI >95 color rendering indexes. Constant Output Tunable Color DMX LED Panels.



CineLight Color240® 4X2

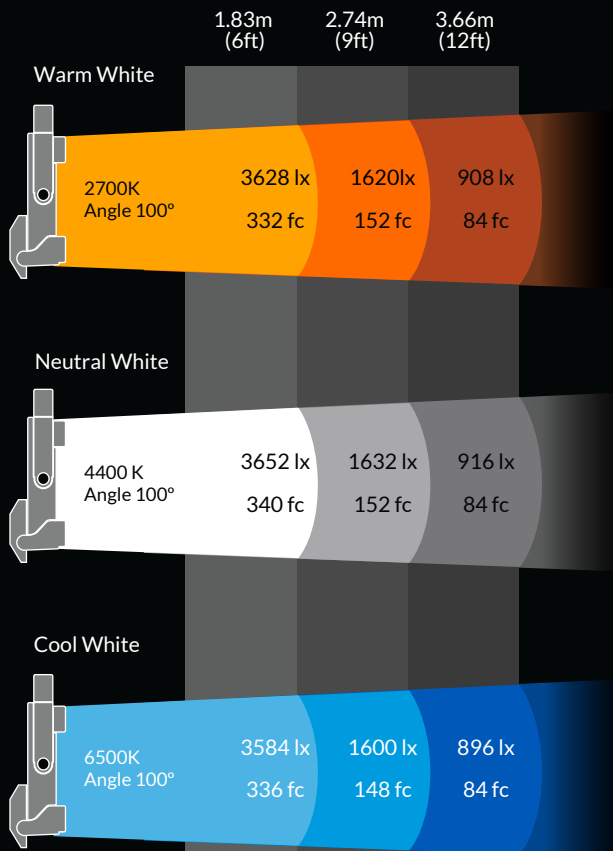
Color Interchangeable Diffusion DMX LED Panels

With YOKE	G6CRGB170
Panel 1-Light KIT with YOKE and Cargo Case	G6CRGB240
AC Input	90-240V - 50/60Hz
Weight lb/kg	43 lb / 19.4 kg
Energy Efficiency	2.74A (332 W) @120VAC
CCT	2,700K - 6,500K Extended Range 2,500K - 10,000K
CRI	> 95
Remote Dimming	Via DMX 0% - 100%
Local Dimming	Digital Display 0% - 100%



Photometric Data

CineLight Color240® 4X2 DMX LED Panels



Key Features

- A very efficient broadcast & cinema luminaire with high- speed option.
- Plus/Minus Green control and special effects.
- Full Color / HSI / XY / Filters / Settings menu.
- Constant luminous output (2,500K-10,000K) of CCT with proprietary designed calibration curves.
- Local LCD digital display panel for manual control.
- DMX 19 channels.
- User - defined presets.
- Interchangeable diffusion panel.
- NEBULA® reflective and diffusion chamber technology.
- Integrated power supply.

Accessories



More Info: www.fluotec.com · info@fluotec.com

