

VegaLux 300 HP Bicolor®

Warnings

The VegaLux 300 HP BICOLOR is a professional lighting system. Read these instructions, as well as any applicable accessory instructions and warnings before operating the unit:

Do not leave the device unattended.

For fixed (stationary) use in studios, theaters, and similar places.

Not for home use.

Use for photographic lighting (TV, video, and film)

Always unplug the unit before changing the fuse.

Do not use near standing water.

Never remove the ground pin from the plug.

Do not interfere with the ventilation of the unit.

Do not operate the unit with barndoors closed.

Make sure the clamp is tight to the yoke.

Always use the safety cable when connecting to pipes or vents.

Always use it with the supplied AC cord.

Avoid looking directly at the luminaire (LED source).

General recommendations

1.- Do not operate this product if it is damaged.

2.- Avoid contact with water or other liquids to protect yourself from electric shock.

3.- You must turn the unit off before connecting it to the electrical network; also, when removing the unit from a grid or tripod, turn it off before disconnecting it from an electrical network.

4.- In case of failure or malfunction, to avoid electric shocks, Do not disassemble the unit; call your FLUOTEC®

AUTHORIZED SERVICE CENTER.

Improper assembly or disassembly of this unit may cause a malfunction.

5.- Using accessories not designed or recommended by FLUOTEC® may cause dangerous conditions or damage the device.

Cleaning

CHASSIS.

Use a damp, almost dry cloth to remove dust and any stains.

NEVER USE ABRASIVE FIBER AND NEVER USE SOLVENTS; they can damage the appliance or its finish.

Problems, repairs and information.

Repairs, problems, suggestions and requests for brochures, catalogs, illustrations and parts lists can be handled through your authorized FLUOTEC® dealer or directly through FLUOTEC®. Electrical repairs must be carried out only by FLUOTEC® or a qualified electrician.

FLUOTEC®

TEL. +1-213-296-4202

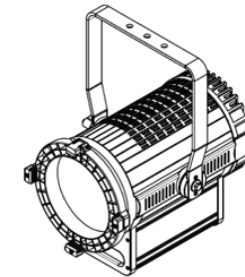
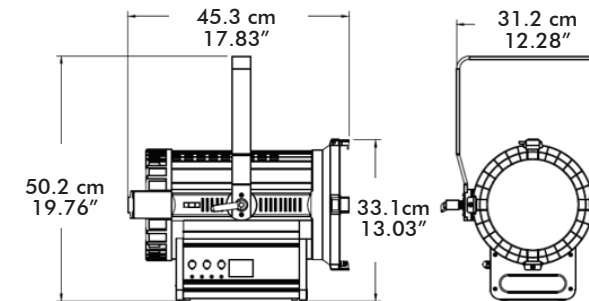
email : info@fluotec.com

FLUOTEC 



VegaLux 300 HP Bicolor® . Operation Manual

Specifications and performance



Code:	Operation:	CCT:	CRI:	Weight:
G6LED300	AC-POWERCON	3000K- 5600K	≥95	10 kg (22.2 lb)

Display and buttons

Functions

The VegaLux 300 HP BICOLOR unit has a liquid crystal display to visualize its functions.



MENU: Returns to the previous menu.

ENTER: Allows access to the selected menu and saves and confirms the desired value.

UP: Allows navigation through the different menus and submenus.

Increases the selected value.

DOWN: Allows navigation through the different menus and submenus.

Decrements the selected value.

CCT: Rotate the knob left and/or right to modify the color temperature value in a range of 3000k-5600K. Press for fine adjustment. Press 2 times quickly to select between 3000K-5600K.

DIM: Turn the knob left and/or right to modify the intensity value from 0 to 100%. Press for fine adjustment. Press 2 times quickly to select between 0%-100%.

ZOOM: Turn the knob left and/or right to modify the angle of the light beam from 25° to 55°. Press 2 times quickly to select between 25°-55°.

If there is no manipulation of the knobs and/or buttons for 1 minute, the display screen will go into "standby".

Fuses and power consumption

The VegaLux 300HP BICOLOR is self-adjusting for voltages between 90-240VAC

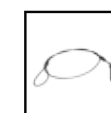
NOTE: Most electrical equipment briefly draws a larger amount of electrical current during startup (ignition). Please refer to the chart to confirm that your electrical wiring is sufficient for the units used. All fuses must be rated at 250VAC.

ELECTRICAL MEASUREMENTS	
Voltage [VAC]	90-240
Power [W]	346
Current [A]	2.89 A @ 120 VAC / 1.44 A @ 240 VAC
Fuse	5 A @ 250 VAC

Each fixture comes with:



G6LED127
8 LEAF BARNDOOR



G6FLT059
SAFETY CABLE (2)



G6FLT262
C-CLAMP



G6LED128
GEL FRAME



G6CNT154
AC CORD WITH
POWERCON CONECTOR
16 ft (4.82 m)



G6FLT057
STAND MOUNT SPIGOT
5/8"

VegaLux 300 HP Bicolor®

Mounting the fixture

On grid:

Attach the clamp (C-clamp) firmly to the fixture's yoke, hang the clamp on the pipe or rack, and tighten the large screw so that the clamp and fixture are securely mounted.

Do not loosen the screw that secures the clamp to the fixture to attach the light.

Connect the security cable between the ring and the grill rail to obtain the necessary security.

On Stand:

Use the 5/8" bracket accessory (not included), and choose an appropriate size tripod or bracket for the fixture.

Always use enough weight stabilizers (sandbags) at the base of the stand.

The 5/8" bracket accessory allows you to mount the fixture to a tripod or bracket with a 5/8" male stud (not included). Ensure the tripod is large enough to support the fixture's weight while holding a good balance at the desired height. Hold the female mounting fitting firmly to the yoke and tighten, hold the locking lever and place the 5/8" female fitting over the tripod, ensuring its locking screw is loose enough to allow the fixture to fit through. completely over the 5/8" bolt of the bracket.

Tighten the knob, ensuring its screw is under the 5/8" bolt safety cutout on the fixture bracket. Add additional weight to the tripod base or fixture bracket to increase stability.

Manual & DMX operation

DMX Mode

- 1.- Confirm in the "Setting" menu that "Mode" is in "DMX".
- 2.- Confirm in the "Setting" menu that "Program" is "None".
- 3.- Check that the DMX controller is connected.
- 4.- Assign the desired DMX address.

M/S mode (Master Slave)

- 1.- Disconnect the luminaire from the DMX controller.
- 2.- Select the "master" unit in the DMX chain through the configuration: "Setting" -> "Mode" -> "M" and "progN" "Automatic operation".
- 3.- This mode is only compatible with similar products.

Manual Configuration Mode

- 1.- Remove the DMX controller from the unit.
- 2.- Verify they unit is in "none" in "program" in the "setting" menu.
- 3.- Press "ENTER" in the "CTRL" menu to enter the manual configuration.
- 4.- In the DMX option press "ENTER" / "UP" / "DOWN" to change the DMX address.
- 5.- Press "MENU" to exit the option to modify parameters.
- 6.- Repeat steps 4 and 5 with any other parameter you wish to modify.

DMX channel selection

- 1.- Select "ADDR," press "ENTER".
- 2.- Using "UP" and/or "DOWN," select the desired address.
- 3.- Press "MENU" to save the changes and return to the previous menu.

System information

- 1.- Select "Info" and press "ENTER", detailed system information will be displayed:

INFO	DESCRIPTION
Version	Press "ENTER"
RDM-UID	*****
Total hours	0-99999
Running hours	mm:ss
DMX	0-99 Hz
Light source temp.	-55.0 - 125.0 °C
Fan speed	rpm

FUNCTION	VALUE
DMX	DMX, M/S.
Person y	Standard / Reduced
Program	None, Prog1, Prog2, Prog3
Language	English
Screen	Normal / Inverted
SigHold	ON / OFF
DimCurve	Square, Linear, I-Square, S-Shape,
DimSpeed	Tungsten, Led effect
DimMode	24KHz, 18KHz, 12KHz, 6KHz, 4.8KHz, 3.6KHz, 2.4KHz, 1.2KHz (Refreshment rate)
NRFAddr	0-255

VegaLux 300 HP Bicolor®

DMX channels

MODE		CHANNEL	VALUE	FUNCTION
REDUCED	STANDARD			
1	1	Dim	000-255	0~100%
2	2	Fine tuning	000-255	Fine tuning DIM
3	3	CCT	000-255	CCT 3000~5600K
4	4	Strobe	000-002	Open
			003-127	1-20Hz
			128-252	Random
			253-255	Open
5	5	Zoom	000-255	25°~55°
\	6	Dim Curve	000-063	Square
			064-127	I-square
			128-191	S-Shape
			192-255	Lineal
\	7	Dim Speed	000-127	Tungsten effect
			128-255	LED effect
\	8	Refreshment	000-031	24KHz
			032-063	18KHz
			064-095	12KHz
			096-127	6KHz
			128-159	4.8KHz
			160-191	3.6KHz
			192-223	2.4KHz
			224-255	1.2KHz
\	9	Fan Mode	000-010	None
			011-064	Noiseless
			065-096	Low speed
			097-128	Automatic
			129-255	Manual