



CineLight[®] 200L

RGBWW LED Panel



Introducing the Fluotec CineLight RGBWW LED Panel.

Experience pure white light and precise color with an expansive 2700-6500K color range, with >95 CRI extendable up to 10,000K. Take command with plus/minus green control and a comprehensive full-color HSI/XY/filters/settings control, plus enjoy the convenience of a built-in virtual gel library featuring all your favorite gel filter colors. Effortlessly navigate through its features with the integrated LCD panel and have the flexibility to choose between 2 or 19 DMX channels, presets, or a built-in LumenRadio CRMX receiver. NEBULA diffusion chamber technology delivers uniform, shadow-free illumination from corner to corner, erasing all traces of hotspots. The integrated power supply, featuring Power Pass-Through, streamlines rigging and cabling for hassle-free setup in any location, while fanless heat dissipation always provides noise-free operation.

The new CineLight, RGBWW LED Panel, No Color blending, No Compromises.

FLUOTEC 



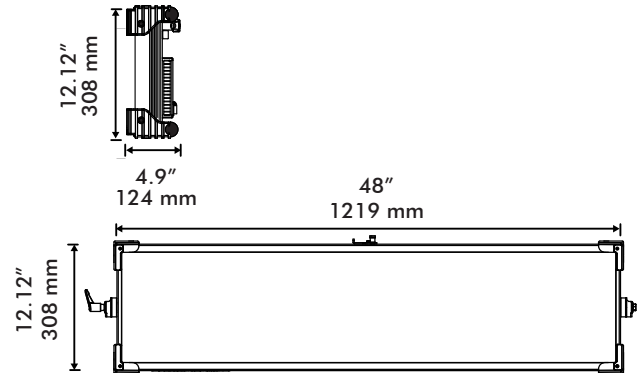
www.fluotec.com • info@fluotec.com



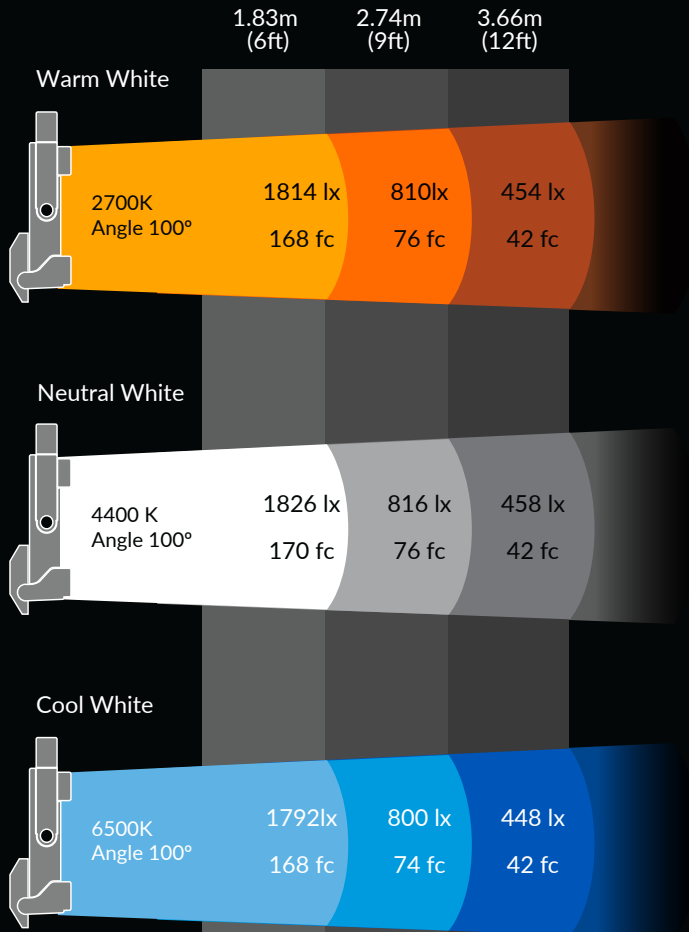
CineLight® 200L RGBWW LED Panel

Specs

With Yoke	G6CRGB200
AC Input	90-240V - 50/60Hz
DC Input	36-48V
Weight lb/kg	29.90 lb /13.50 kg
Power	1.67A (200 W) @120VAC
CCT	2,700K - 6,500K Extended Range 2,700K - 10,000K
CRI	> 95
Remote dimming	Via DMX 0% - 100%
Local dimming	Digital Display 0% - 100%



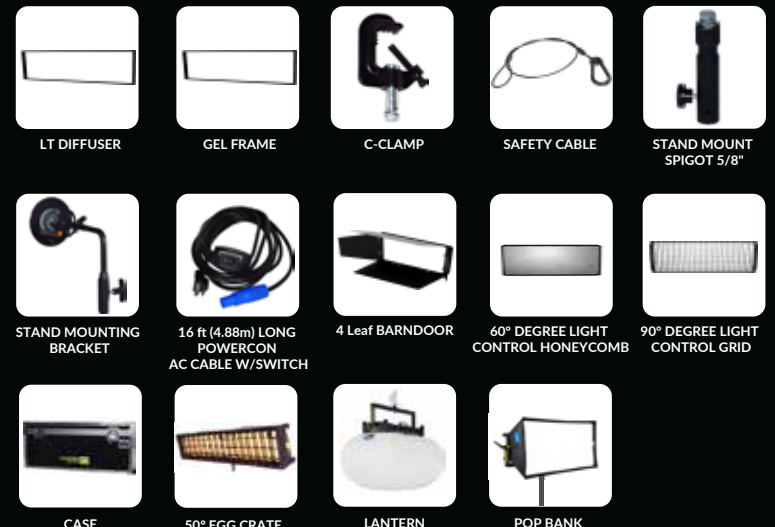
Photometric Data



Key Features

- A very efficient broadcast & cinema luminaire with high-speed option.
- Plus/Minus Green control.
- Full Color / HSI / XY / Filters / Settings menu.
- Constant luminous output (2,700K-10,000K) of CCT with proprietary designed calibration curves.
- Local LCD digital display panel for manual control.
- DMX 2 or 17 channels.
- User defined presets.
- Interchangeable diffusion panel.
- NEBULA® reflective and diffusion chamber technology.
- Integrated power supply.
- Wireless DMX (Lumen radio).
- DC operation 36-48V (external battery).

Accessories



More Info: www.fluotec.com · info@fluotec.com

